

**Features**

- Complies with BS EN1125
- Available in Rim & Surface Vertical rod type.
- High shock-resistant latching mechanism for protection against vandalism.
- All inside components are made of high rust-resistant alloy & heavily electroplated steel to avoid corrosion.
- All devices are non-handed.
- Shock-resistant painting/electroplating finish.
- External access trims are available with different functions.
- Auxiliary guarded latch and deadlocks latch bolt automatically when door is closed.
- All trims feature a through-bolted design to the device that enables a secure and durable installation
- Standard dimension: Width=900mm & Height (for Vertical rod) = 2438mm.

**How to Order**

Part #	Description
SGPD200FSS	Model #200 Pushbar Rim Device, FR
SGPD200SS	Model #200 Pushbar Rim Device, NFR
SGPD200VRFSS	Model #200 Pushbar Surface Vertical Rod Device, FR
SGPD200VRSS	Model #200 Pushbar Surface Vertical Rod Device, NFR
SGPDXELSS - E	External Trim, Lever with Escutcheon
SGPDXPLSS - E	External Trim, Pull Lever
SGPDXTSS - S	External Trim, Thumbpiece Lever

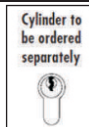
**Finish Options**

Silver Finish

**Configuration Options**

**Standard**

- Exit device unit
- Mounting components
- Instruction sheet
- Template



Part #	Standard	Optional
SGPDXELSS-E	Entrance function	Storeroom (S)/Passage (P)
SGPDXPLSS-E	Entrance function	Storeroom (S)/Passage (P)
SGPDXTSS-S	Storeroom function	Passage (P)

**Warranty Information**

24 Month Warranty

**SGPD200**  
Rim Exit Device, Push-bar type



**SGPD200VR**  
Surface Vertical Rod Exit Device, Push-bar type



SGPDXELSS  
External Trim,  
Lever with Escutcheon



SGPDXPLSS  
External Trim,  
Pull Lever

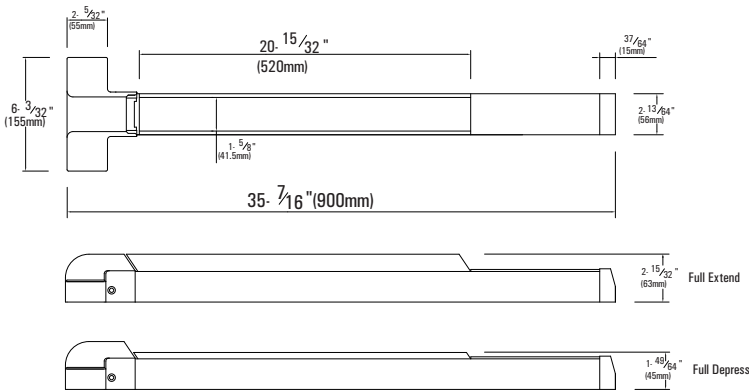


SGPDXTSS  
External Trim,  
Thumbpiece lever

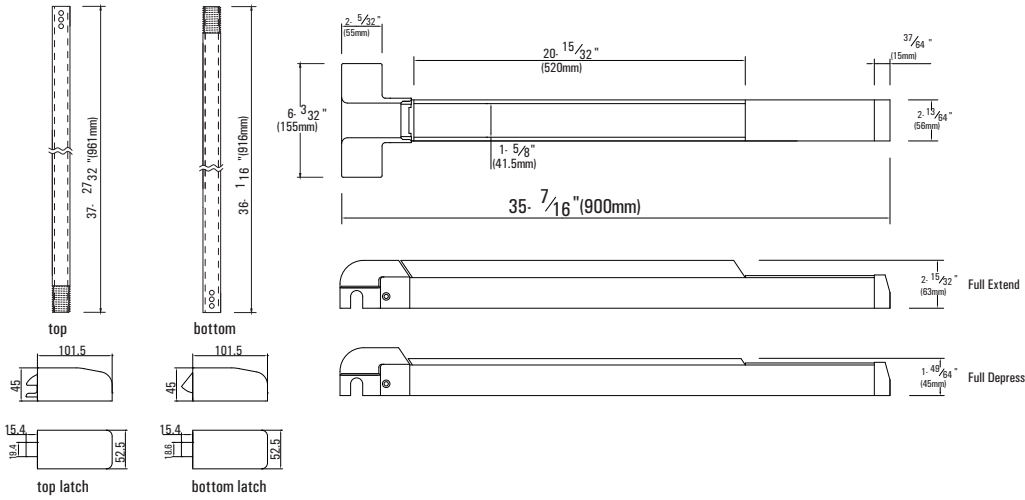


- \* Specify Optional requirements after (-S, -P) Part# if not standard Eg: SGPDXELSS-S
- \* Specify "WD" after Part# for Wide Door Eg: SGPD200FSSWD
- \* Specify "HD" after Part# for Tall Door Eg: SGPD200FSSHD
- \* Extension Rod available

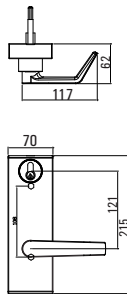
**SGPD200**  
Rim Exit Device, Push-bar type



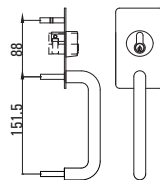
**SGPD200VR**  
Surface Vertical Rod Exit Device, Push-bar type



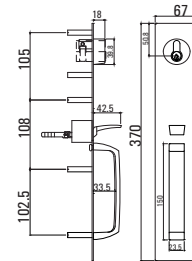
**SGPDXELSS / SGPDXPLSS / SGPDXTPSS**



**SGPDXELSS**  
External Trim,  
Lever with Escutcheon



**SGPDXPLSS**  
External Trim,  
Pull Lever



**SGPDXTPSS**  
External Trim,  
Thumbpiece lever

**Features**

- Complies with BS EN1125
- Available in Rim & Surface Vertical rod type. Stainless Steel Construction.
- High shock-resistant latching mechanism for protection against vandalism.
- All inside components are of high rust-resistant alloy & heavily electroplated steel to avoid corrosion.
- All devices are non-handed.
- External access trims are available with different functions.
- Auxiliary guarded latch and deadlocks latch bolt automatically when door is closed.
- All trims feature a through-bolted design to the device that enables a secure and durable installation
- Standard dimension: Width = 900mm & Height (for Vertical rod) = 2438mm.

**How to Order**

Part #	Description
SGPD250FSS	Model #250 Pushbar Rim Device, FR
SGPD250SS	Model #250 Pushbar Rim Device, NFR
SGPD250VRFSS	Model #250 Pushbar Surface Vertical Rod Device, FR
SGPD250VRSS	Model #250 Pushbar Surface Vertical Rod Device, NFR
SGPDXELSS - E	External Trim, Lever with Escutcheon
SGPDXPLSS - E	External Trim, Pull Lever
SGPDXTPSS - S	External Trim, Thumbpiece Lever

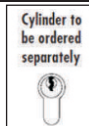
**Finish Options**

- Exit Device - Satin Stainless Steel
- External Trim - Silver

**Configuration Options**

**Standard**

- Exit device unit
- Mounting components
- Instruction sheet
- Template



Part #	Standard	Optional
SGPDXELSS-E	Entrance function	Storeroom (S)/Passage (P)
SGPDXPLSS-E	Entrance function	Storeroom (S)/Passage (P)
SGPDXTPSS-S	Storeroom function	Passage (P)

**Warranty Information**

24 Month Warranty

**SGPD250**  
Rim Exit Device, Push-bar type



**SGPD250VR**  
Surface Vertical Rod Exit Device,  
Stainless Steel Push-bar type



SGPDXELSS  
External Trim,  
Lever with Escutcheon



SGPDXPLSS  
External Trim,  
Pull Lever

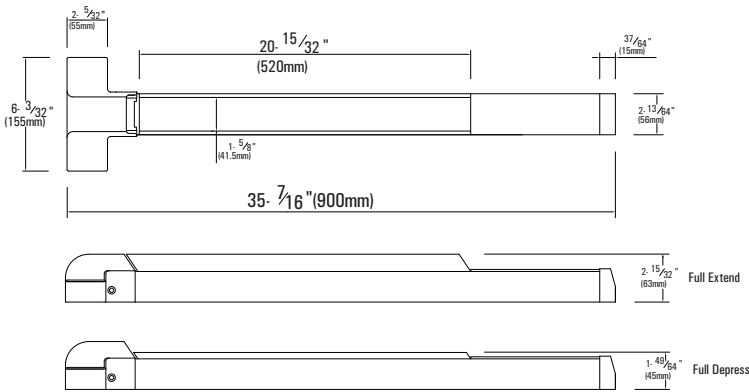


SGPDXTPSS  
External Trim,  
Thumbpiece lever

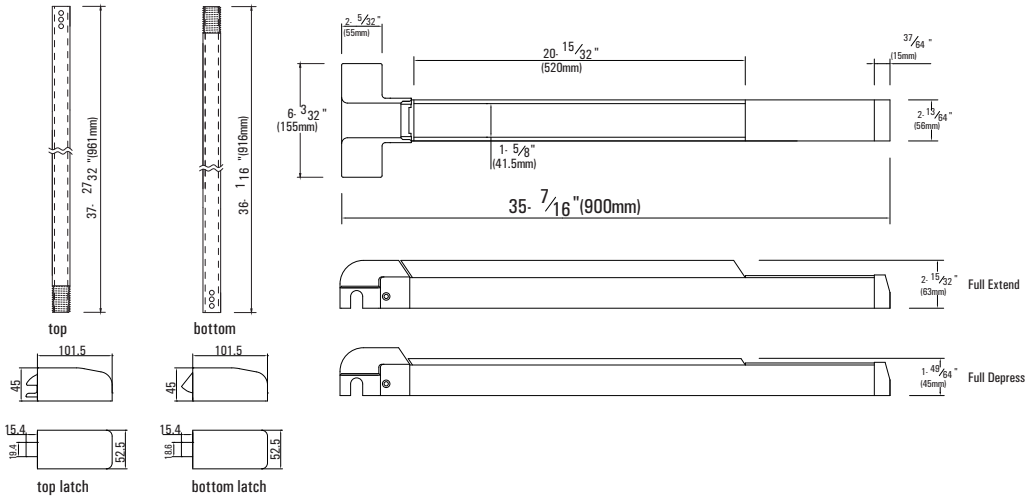


- \* Specify Optional requirements after (-S, -P) Part# if not standard Eg: SGPDXELSS-S
- \* Specify "WD" after Part# for Wide Door Eg: SGPD250FSSWD
- \* Specify "HD" after Part# for Tall Door Eg: SGPD250FSSHD
- \* Extension Rod available

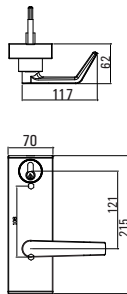
**SGPD250**  
Rim Exit Device, Stainless Steel Push-bar type



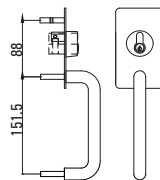
**SGPD250VR**  
Surface Vertical Rod Exit Device, Stainless Steel Push-bar type



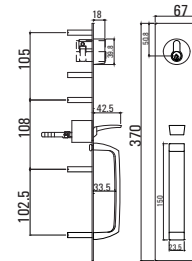
**SGDPXLSS / SGDPXLSS / SGDPXTPSS**



**SGDPXLSS**  
External Trim,  
Lever with Escutcheon



**SGDPXLSS**  
External Trim,  
Pull Lever



**SGDPXTPSS**  
External Trim,  
Thumbpiece lever